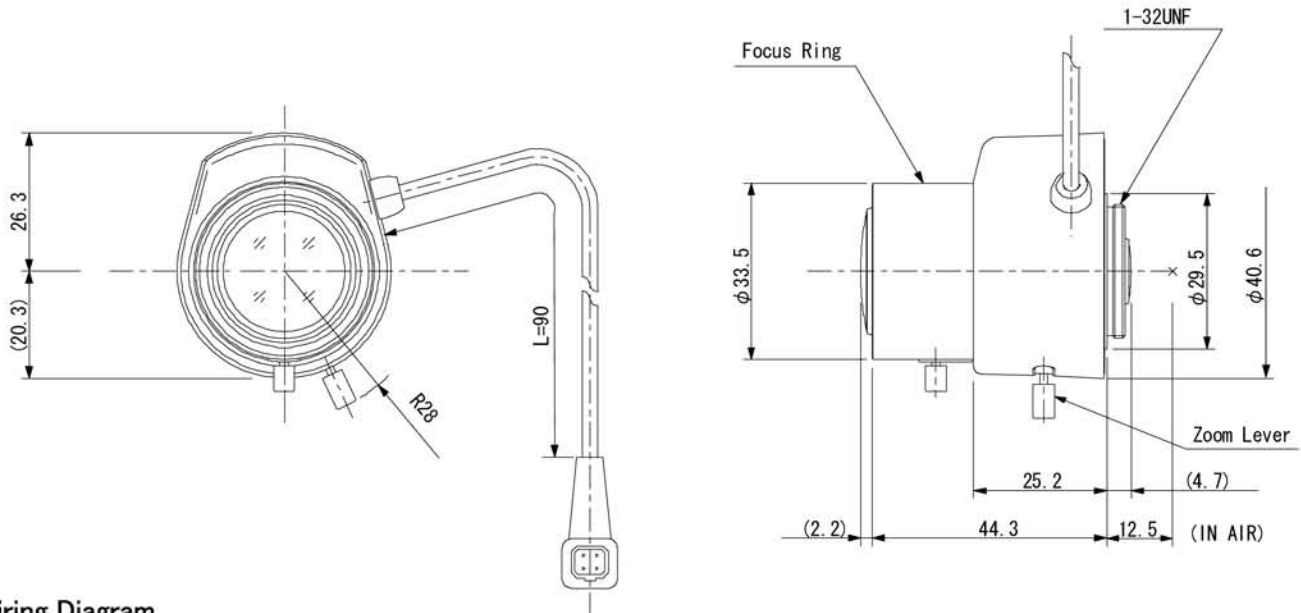


# TG3Z2910FCS-IR

3X 2.9mm-8.2mm F1.0 Day & Night  
 for 1/3 type Cameras, Vari-focal Auto Iris DC Drive  
 CS-Mount

Model No.	TG3Z2910FCS-IR		Effective	Front	φ 19.0mm
Focal Length	2.9mm - 8.2mm		Lens Aperture	Rear	φ 8.5mm
Max. Aperture Ratio	1:1.0		Back Focal	Tele	14.0mm
Max. Image Format	4.8mm x 3.6mm(φ 6mm)		Length	Wide	7.8mm
Operation Range	Iris	F1.0 - F360C	Flange Back Length		12.5mm
	Focus	0.5m - Inf.	Mount		CS-Mount
	Zoom	2.9mm - 8.2mm	Filter Size		—
Control	Iris	DC Auto Iris	Dimensions		φ 33.5mm x 46.6mm x 44.3mm
	Focus	Manual	Weight		50g
	Zoom	Manual			
Angle of View	D	1/3 type	125.6° - 44.7°	1/4 type	88.3° - 33.4°
	H		95.0° - 35.6°		69.0° - 26.7°
	V		69.0° - 26.7°		51.0° - 20.0°
Coil	Drive	190Ω / 20°C			
	Control	855Ω / 20°C			
Operating Temperature	-10°C - +50°C				

**Dimensions**



**Wiring Diagram**

